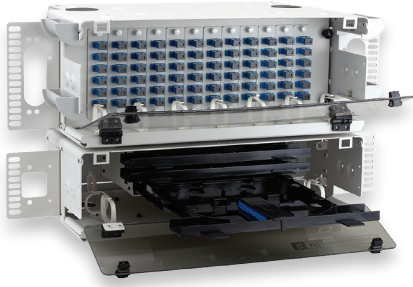


## LightLink LANSystem 7RU Fiber Patch and Splice Panel



The AFL 7RU Fiber Patch and Splice Panel is designed for use as a rack mount interconnect point where termination and connectivity of up to 144 fibers is desired. The two panel design is based on a 7 rack unit height comprised of a 4RU Termination Patch Panel and a 3RU Optical Splice Shelf. The 4RU Termination Patch Panel includes a master plate that is provisioned with 12 LGX® 118 compatible mounting positions. The 3RU Optical Splice Shelf utilizes three STF-48 telescoping splice drawers.

Standard 7RU Fiber Patch and Splice Panels are available empty for complete field configuration, half loaded with adapter plates and STF-48 telescoping splice trays, or loaded with pigtails, adapter plates and STF-48 telescoping splice trays.

### Specifications

- Designed around Telcordia® GR-63NEBS
- Aluminum construction per ASTM B209
- Durable textured powder coat finish available in black or white
- Universal 19/23" EIA/TIA rack compatibility
- Standard density: up to 72-fiber
- High density: up to 144-fiber
- Fiber storage capacity—one meter per spliced fiber (3 mm jacket)
- Uses three STF-48 telescoping splice drawers
- Two panel package—4U patch and 3U splice
- 12 LGX 118 mm positions

### Features

- Fits comfortably into new and existing interconnect, cross-connect, customer premise, and co-location environments
- Most common connector styles and types available
- Compatible with industry standard equipment frames
- LGX-compatible master plate (118 mm)
- Modular design
- Compact and versatile method of organizing splicing and connectivity

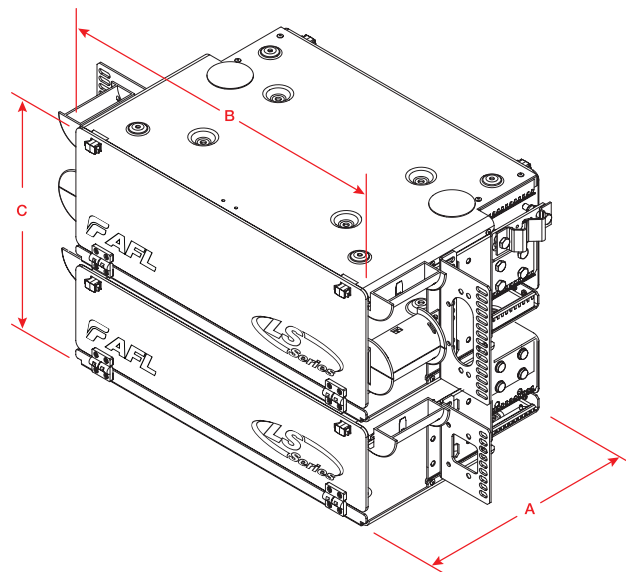
- Provides maximum protection of optical components

### Applications

- Telecommunications closets
- Data Centers
- Customer Premise
- LAN / WAN Networks
- Central Offices / Headends
- Hubs / Cabinets / Remote Terminals
- FTTH / FTTB Networks

### Dimensions

DEPTH (A) IN INCHES	WIDTH (B) IN INCHES	HEIGHT (C) IN INCHES	RACK UNITS	FIBER CAPACITY
11.00	17.00	12.25	7	72/144



LGX is a registered trademark of Furukawa Electric North America, Inc.

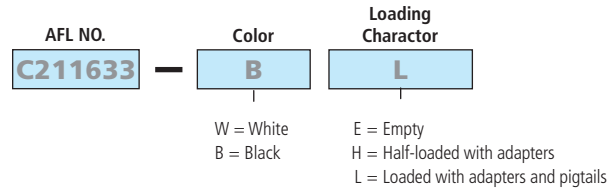
Telcordia is a registered trademark of Telcordia Technologies, Inc.

## LightLink LANSystem 7RU Fiber Patch and Splice Panel

### Ordering Information

Select the seven-digit AFL number, specify the color and choose the loading character desired.

**Example:** Order number for a panel Black in color, loaded with master plate, adapter plates, 72 PSC adapters (12 Six packs), splice drawer (3-48 position), pigtails with connectors, hardware, cable clamp.



**Empty** - Includes master plate, mounting hardware, cable clamp.

**Unloaded** - Includes master plate, adapter plates, adapters, splice drawer (48 & up), hardware, cable clamp.

**Loaded** - Includes master plate, adapter plates, adapters, splice drawer (48 & up), pigtails with connectors, hardware, cable clamp.

### Ordering Information

CONFIGURATION	AFL NO.
<b>CNS072P—7U PATCH &amp; SPLICE PANELS (1 EA. 4U PATCH, 3U SPLICE)—LGX118</b>	
EMPTY	C211615
72 PSC adapters (12 Six Packs)Splice Drawers (3-48 position)	C211633
72 UST adapters (12 Six Packs) Splice Drawers (3-48 position)	C211660
72 PST adapters (12 Six Packs)Splice Drawers (3-48 position)	C211669
36 UDL (dup) adapters (12 Three Packs)Splice Drawers (3-48 position)	FM000244
36 PDL (dup) adapters (12 Three Packs)Splice Drawers (3-48 position)	FM000245
72 ASC adapters (12 Six Packs)Splice Drawers (3-48 position)	C210958
72 UFC adapters (12 Six Packs)Splice Drawers (3-48 position)	C210946
72 USC adapters (12 Six Packs)Splice Drawers (3-48 position)	C210953
72 AFC adapters (12 Six Packs) Splice Drawers (3-48 position)	C210949
36 PSF (dup) adapters (12 Three Packs)Splice Drawers (3-48 position)	FM000246
36 USF (dup) adapters (12 Three Packs)Splice Drawers (3-48 position)	FM000247
36 ASF (dup) adapters (12 Three Packs)Splice Drawers (3-48 position)	FM000248

CONFIGURATION	AFL NO.
<b>CNS144HD—7RU HIGH DENSITY PATCH PANELS (1 EA. 4U PATCH, 3U SPLICE)—LGX118</b>	
72 UDL (dup) adapters (12 Six Packs)Splice Drawers (3-48 position)	C211673
72 PSF (dup) adapters (12 Six Packs)Splice Drawers (3-48 position)	C211637
72 PDL (dup) adapters (12 Six Packs)Splice Drawers (3-48 position)	C211684
72 USF (dup) adapters (12 Six Packs)Splice Drawers (3-48 position)	FM000250
72 ASF (dup) adapters (12 Six Packs)Splice Drawers (3-48 position)	FM000251
144 UST adapters (12 Twelve Packs)Splice Drawers (3-48 position)	FM000252
144 PST adapters (12 Twelve Packs)Splice Drawers (3-48 position)	FM000253
144 UFC adapters (12 Twelve Packs)Splice Drawers (3-48 position)	FM000254
144 USC adapters (12 Twelve Packs)Splice Drawers (3-48 position)	FM000255
144 ASC adapters (12 Twelve Packs)Splice Drawers (3-48 position)	FM000256

CONFIGURATION	AFL NO.
<b>CNS096P—7U PATCH &amp; SPLICE PANELS (1 EA. 4U PATCH, 3U SPLICE)—LGX118</b>	
EMPTY	C210967
96 UST adapters (12 Eight Packs) Splice Drawers (2-48 position)	C210971
96 UFC adapters (12 Eight Packs) Splice Drawers (2-48 position)	C210976
96 AFC adapters (12 Eight Packs) Splice Drawers (2-48 position)	C210982
96 USC adapters (12 Eight Packs) Splice Drawers (2-48 position)	C210985
96 ASC adapters (12 Eight Packs) Splice Drawers (2-48 position)	C210989

**Notes:**

- All MM cable is 62.5 μm unless otherwise specified.
- When ordering Empty Termination Patch/Splice Panel, accessories are available for field configuration.

### Accessories

DESCRIPTION	AFL NO.
STF-48 Telescoping Splice Drawer	911442-00-00

### Connector/Adapter Key

TYPE	DESCRIPTION
ASC	SC—Angle Polish, Simplex, SM
ASF	SC—Angle Polish, Duplex, SM
PSC	SC—Physical Polish, Simplex, MM
PSF	SC—Physical Polish, Duplex, MM
USC	SC—Ultra Polish, Simplex, SM
USF	SC—Ultra Polish, Duplex, SM
PST	ST—Physical Polish, Simplex, MM
UST	ST—Ultra Polish, Simplex, SM
AFC	FC—Angle Polish, Simplex, SM
PFC	FC—Physical Polish, Simplex, MM
UFC	FC—Ultra Polish, Simplex, SM
ADL	LC—Angle Polish, Duplex, SM
PLC	LC—Physical Polish, Simplex, MM
PDL	LC—Physical Polish, Duplex, MM
ULC	LC—Ultra Polish, Simplex, SM
UDL	LC—Ultra Polish, Duplex, SM